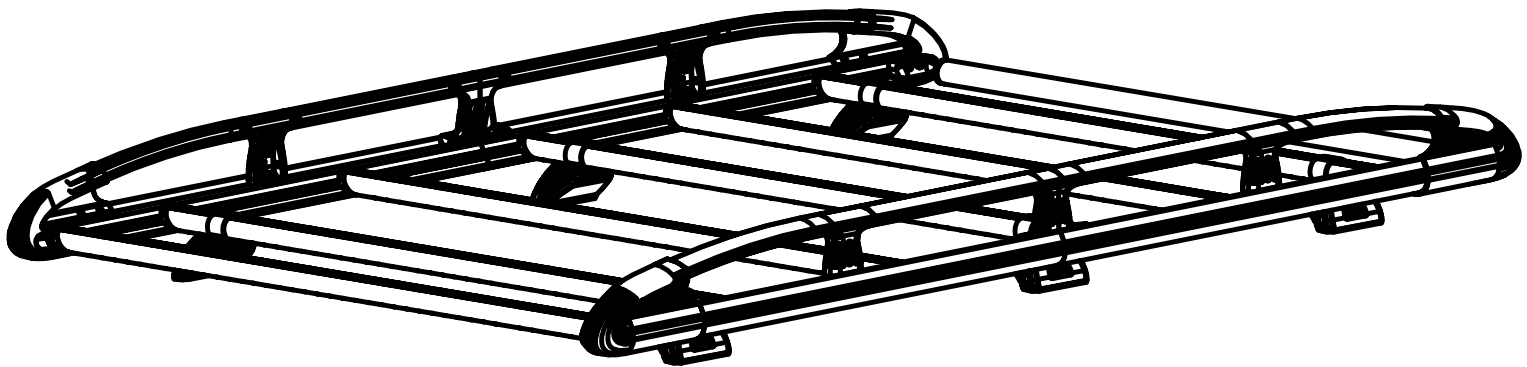


# TB3KR

# KammRack

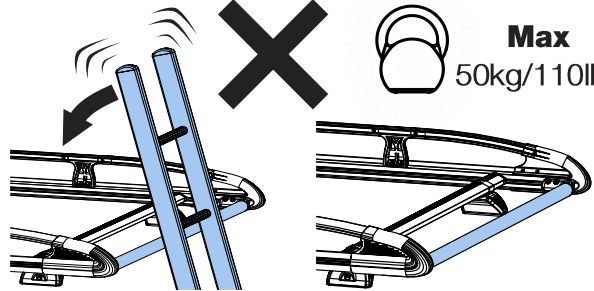
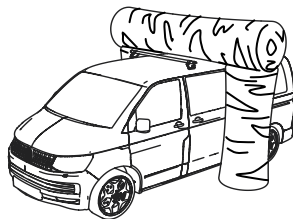
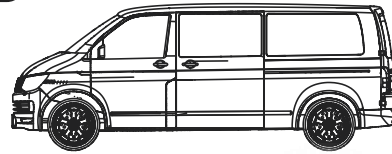
## Instructions



**CITY CRASH** (✓)  
According to ISO/ PAS 11154:2006

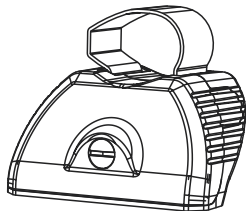
**TB3KR:**

**Ford** Transit Custom, 2012-

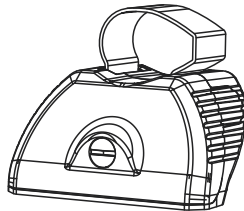


**Max**  
50kg/110lbs

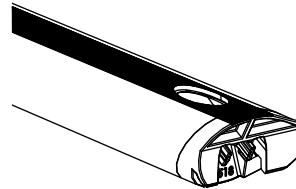
**KammRack**



**SA397U x 3**



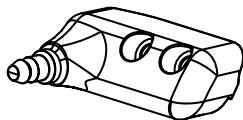
**SA398U x 3**



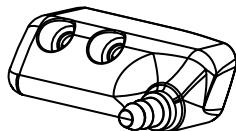
**SA429/  
SA467**



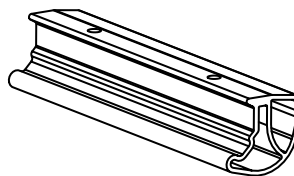
**C04 x 6**  
\*optional upgrade\*



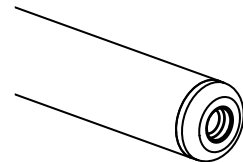
**PS519 x 1**



**PS520 x 1**

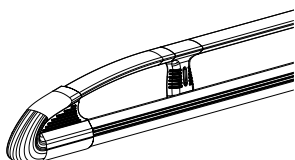


**EXT15-02**

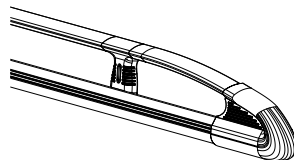


**SA437 x 1**

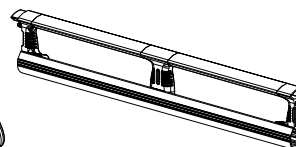
**LHS x 2**



**RHS x 2**

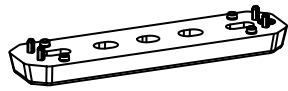


**Centre x 2**



**ASF x 1**

# Fitting Kit



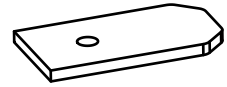
**PS178 x 4**



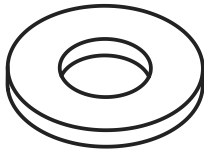
**FT01 x 1**



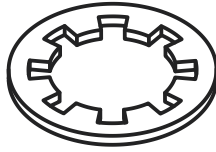
**PS492 x 6**



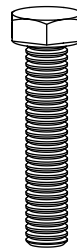
**PS491 x 12**



**FW002 (M8) x 12**



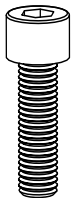
**FW009 (M8) x 12**



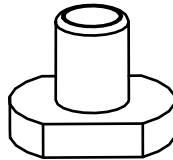
**FS061  
(M6 x 35) x 8**



**FS062  
(M6 x 25) x 4**



**FS059  
(M8 x 25) x 18**



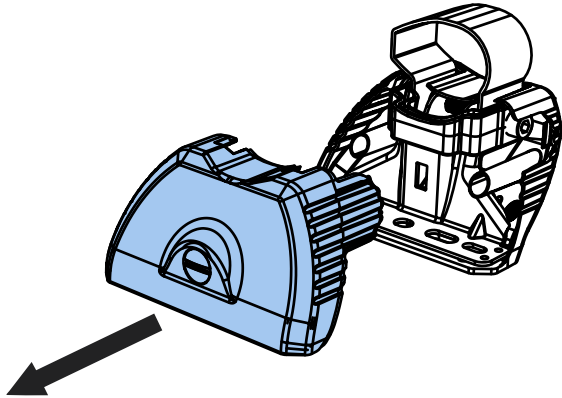
**FN085 x 18**



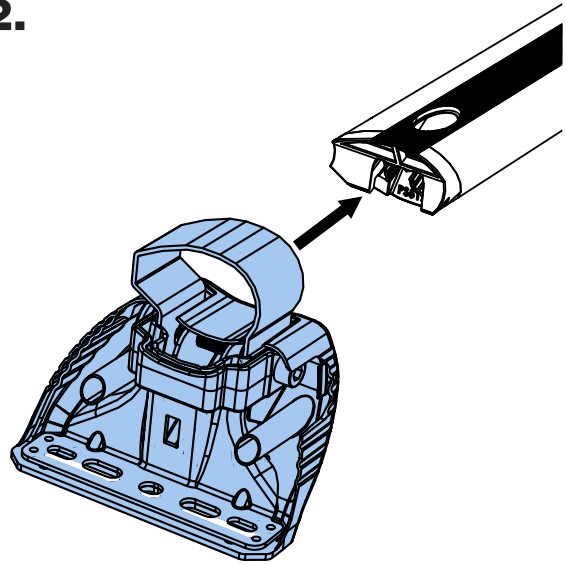
**FT05 x 1**



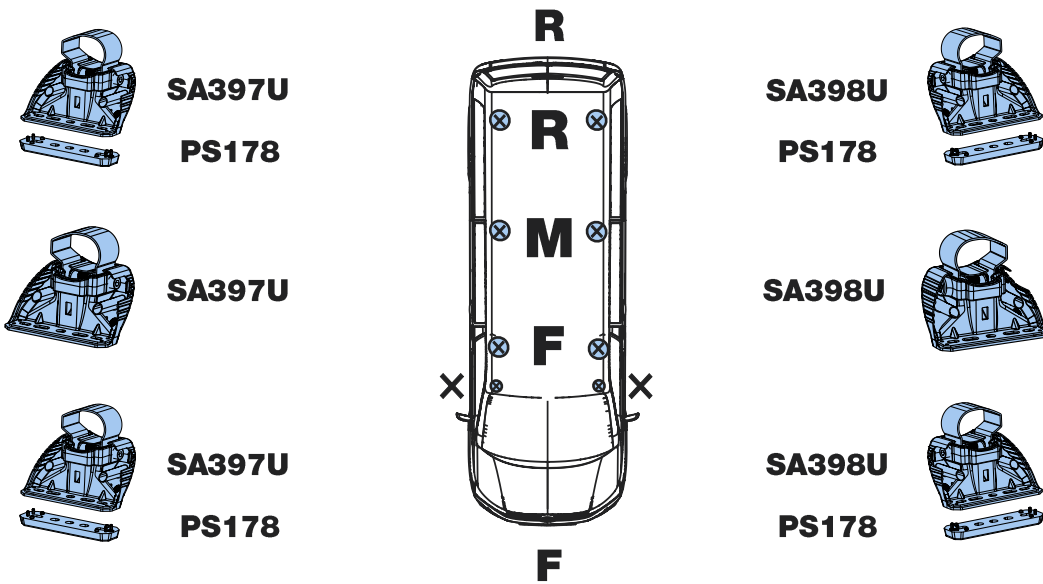
1.



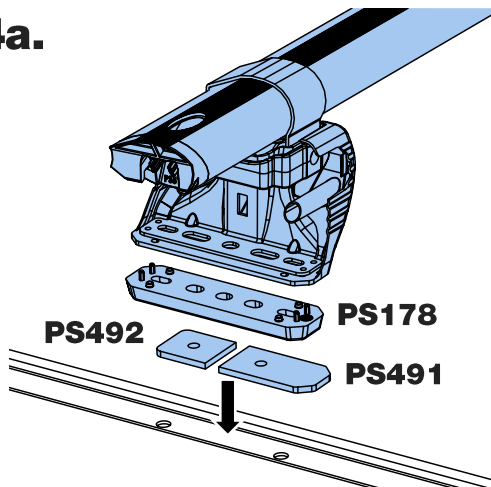
2.



3

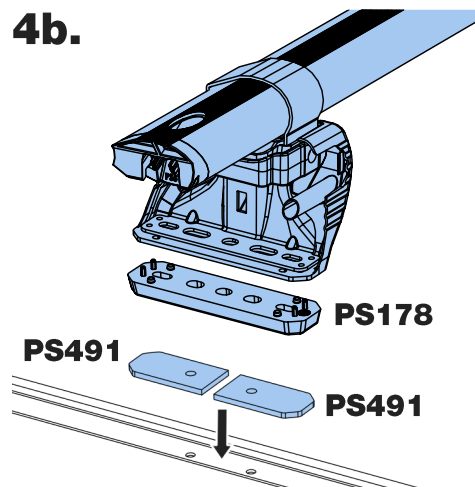


4a.



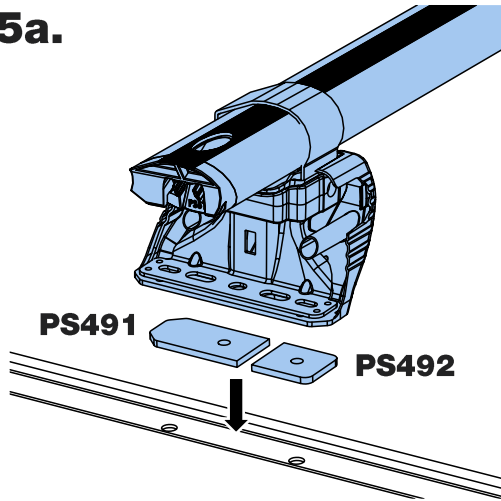
**!** FORD TRANSIT  
CUSTOM 2012-2023 **R**

4b.



**!** FORD TRANSIT  
CUSTOM 2023- **R**

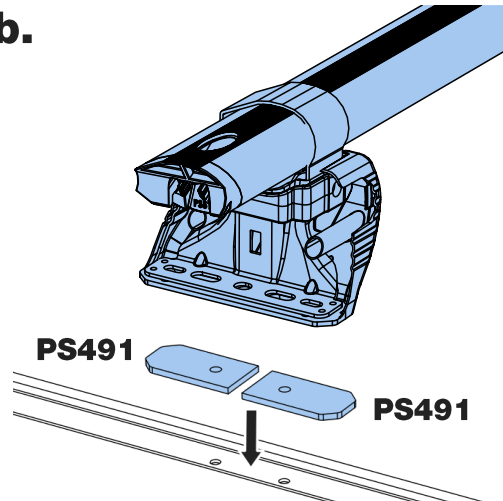
5a.



**! FORD TRANSIT  
CUSTOM 2012-2023**

**M**

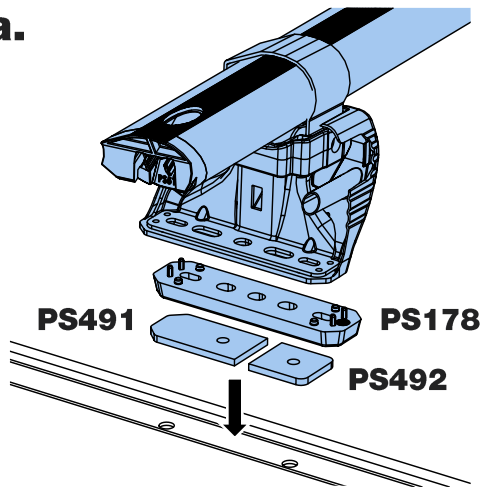
5b.



**! FORD TRANSIT  
CUSTOM 2023-**

**M**

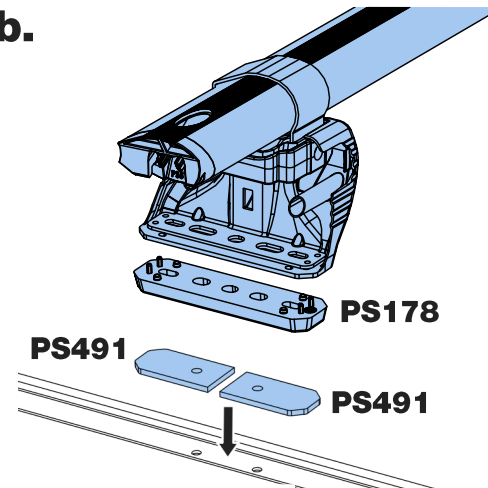
6a.



**! FORD TRANSIT  
CUSTOM 2012-2023**

**F**

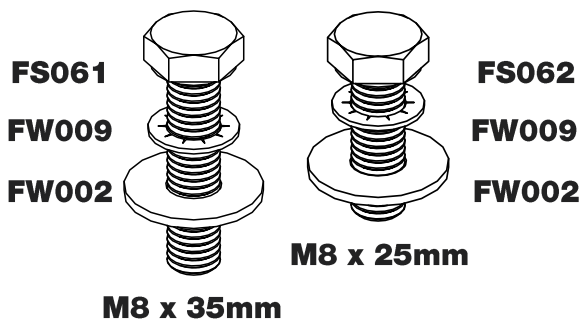
6b.



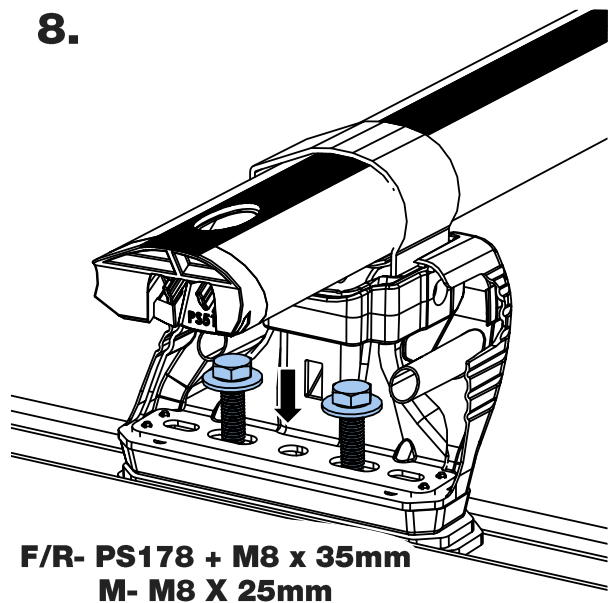
**! FORD TRANSIT  
CUSTOM 2023-**

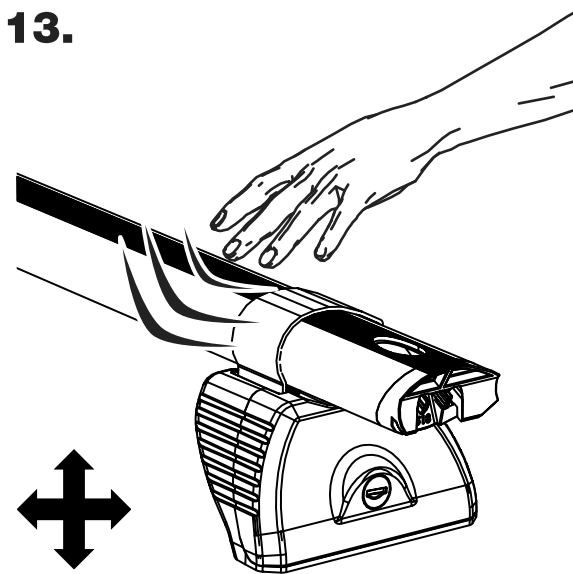
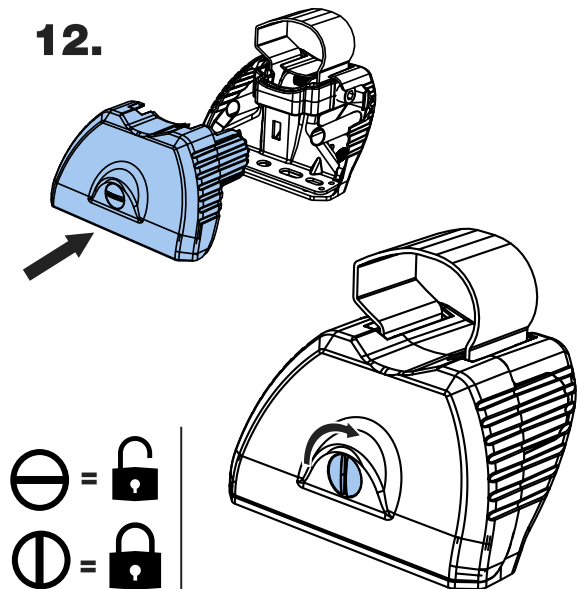
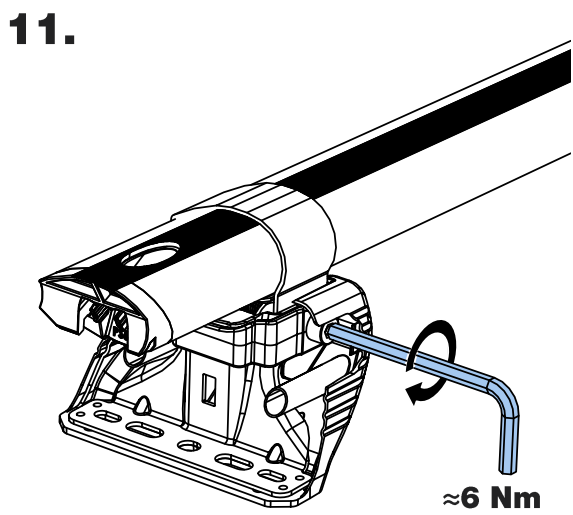
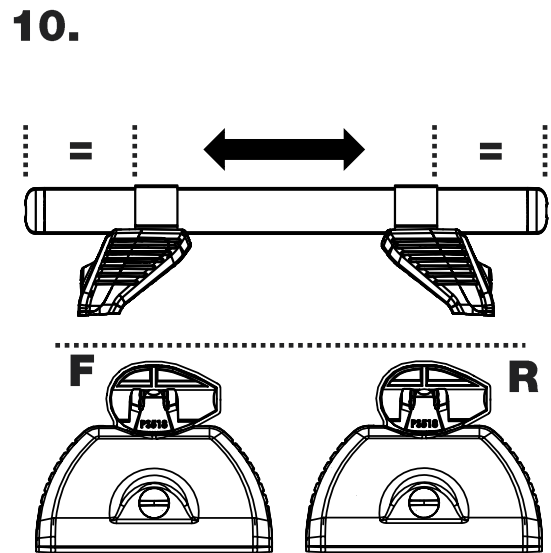
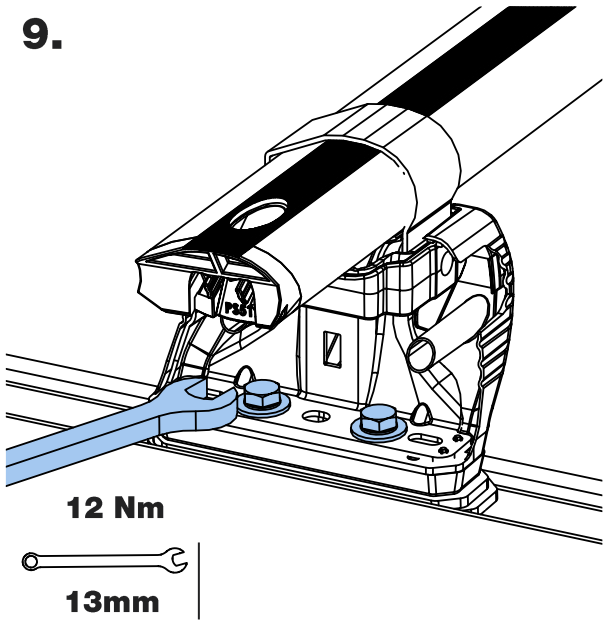
**F**

7.

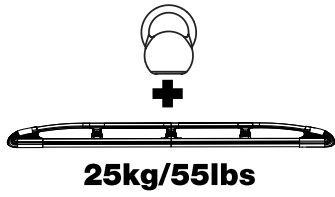


8.

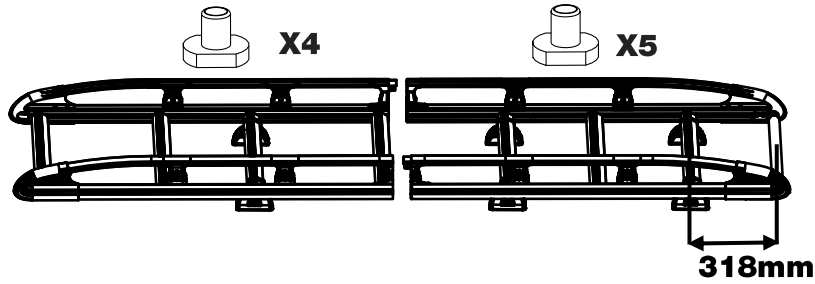
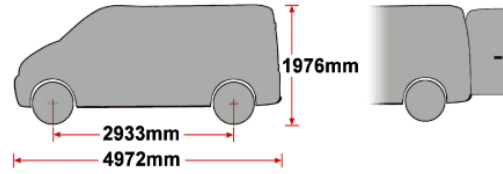




## K615/B615- Ford Transit Custom 2012- L1 Twin Doors.

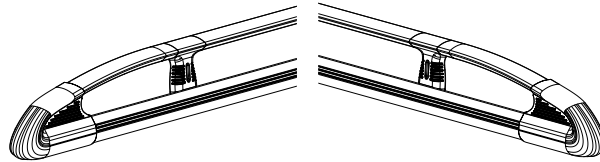


150kg  
Max

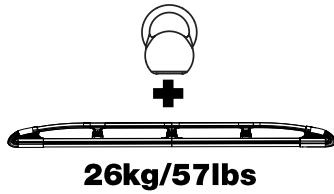


Steps 14-30, 53-62

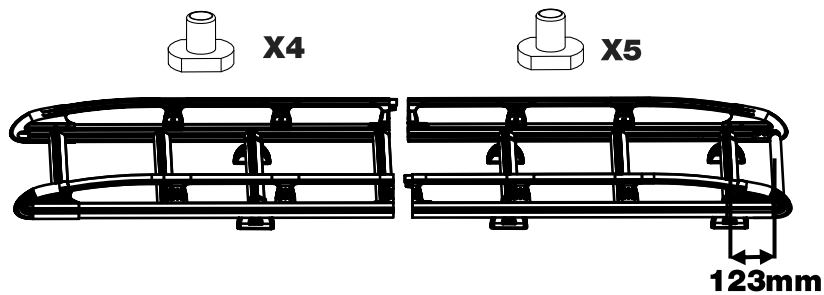
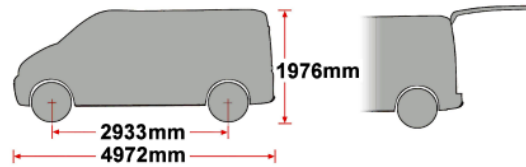
**A**



## K650/B650- Ford Transit Custom 2012- L1, Tailgate.

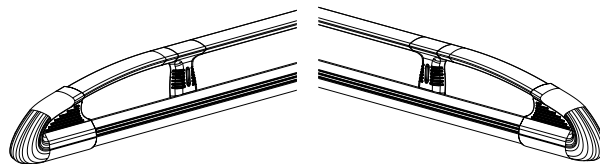


150kg  
Max

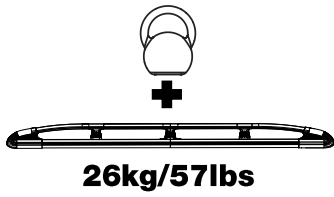


Steps 14-30, 53-62

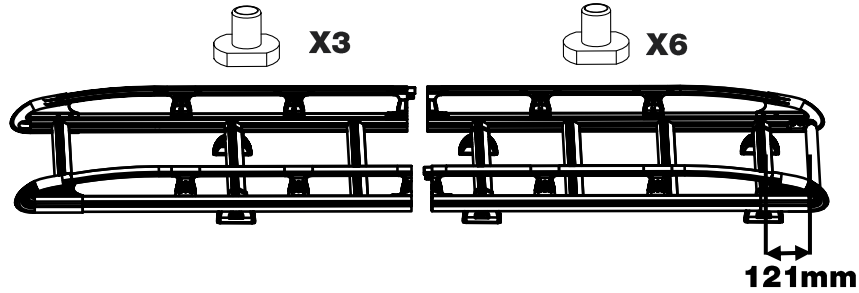
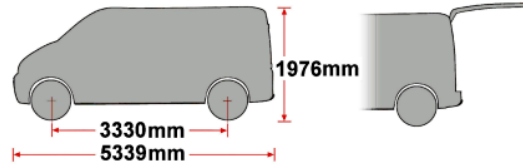
**A**



## K651/B651- Ford Transit Custom 2012- L2, Tailgate.

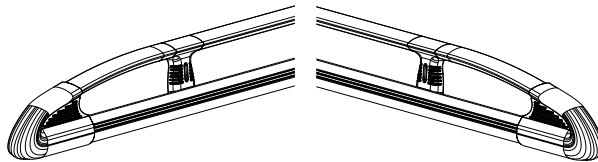


150kg Max

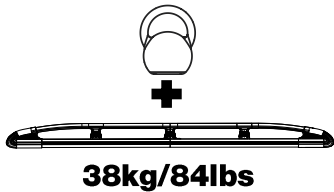


Steps 14-30, 53-62

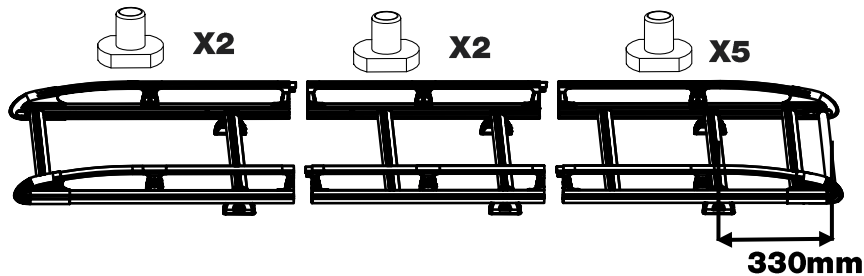
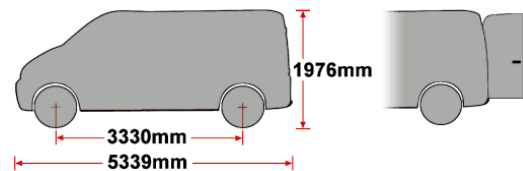
**A**



## K616/B616- Ford Transit Custom 2012- L2, Twin Doors.

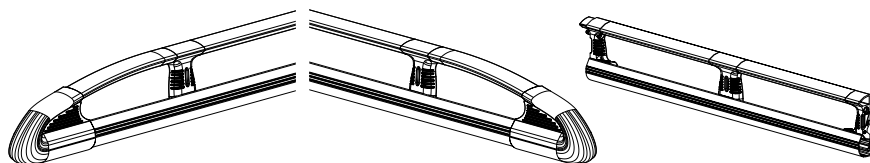


150kg Max



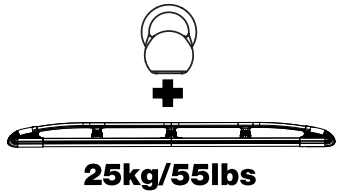
Steps 31-62

**B**

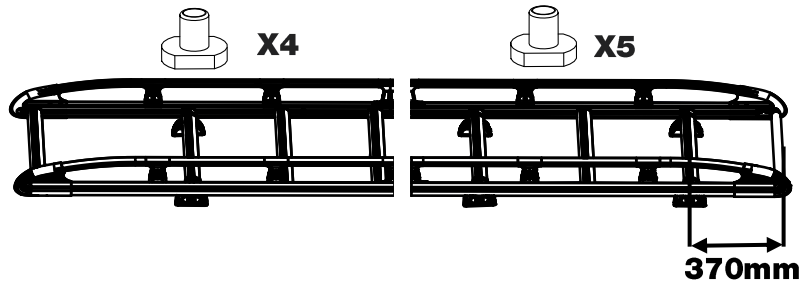
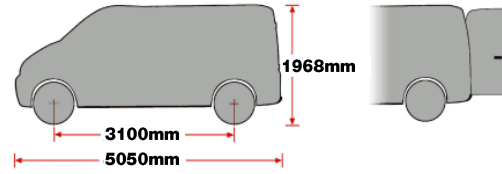




## K615/B615- Ford Transit Custom 2023- L1 Twin Doors.

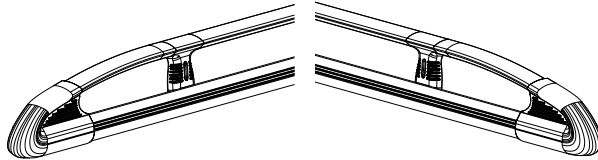


**150kg Max**

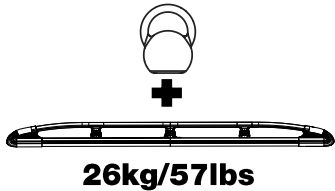


Steps 14-30, 53-62

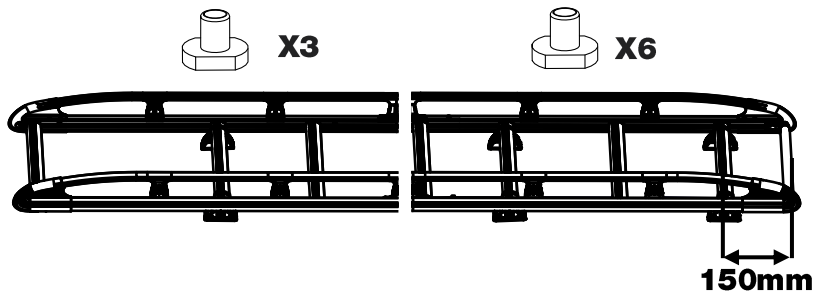
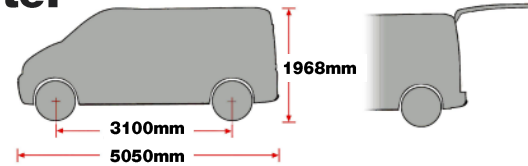
**A**



## K650/B650- Ford Transit Custom 2023- L1, Tailgate.

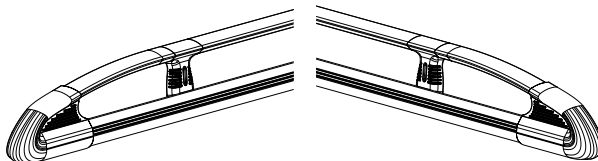


**150kg Max**

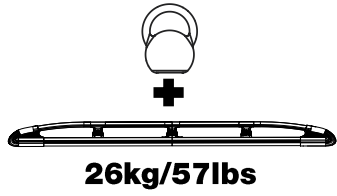


Steps 14-30, 53-62

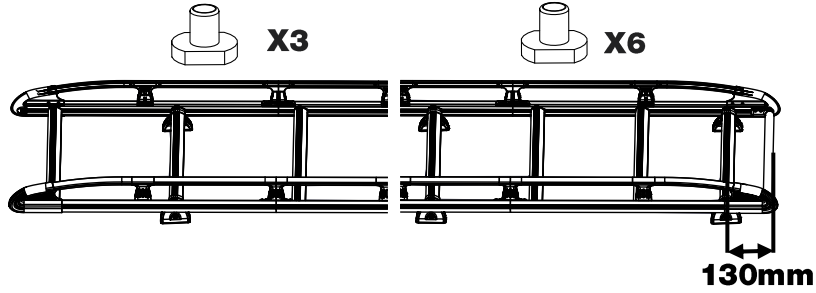
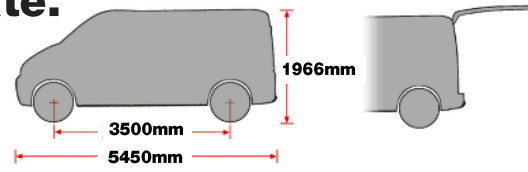
**A**



## K651/B651- Ford Transit Custom 2023- L2, Tailgate.

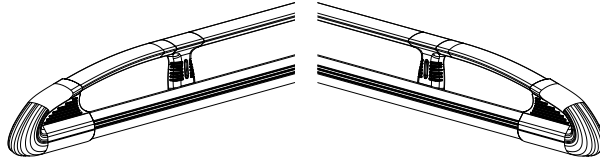


150kg Max

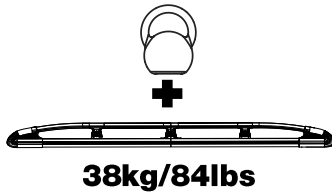


Steps 14-30, 53-62

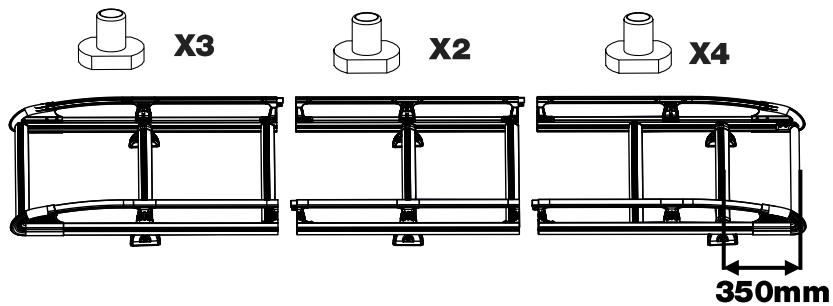
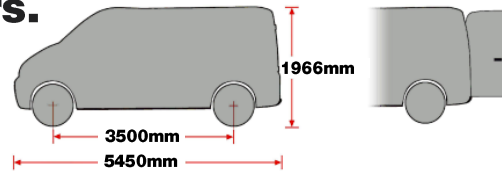
**A**



## K616/B616- Ford Transit Custom 2023- L2, Twin Doors.

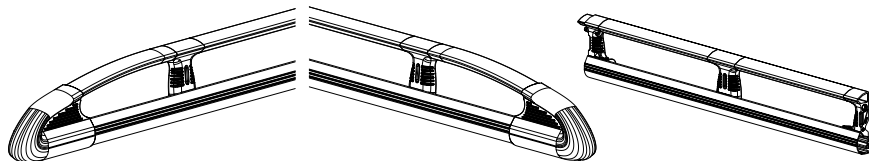


150kg Max

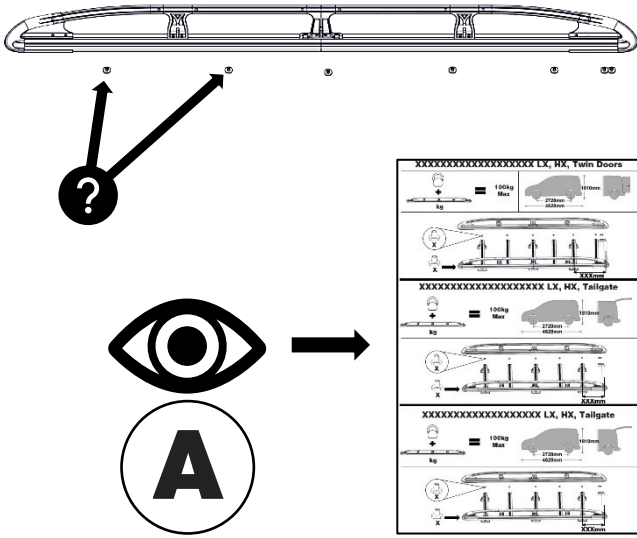


Steps 31-62

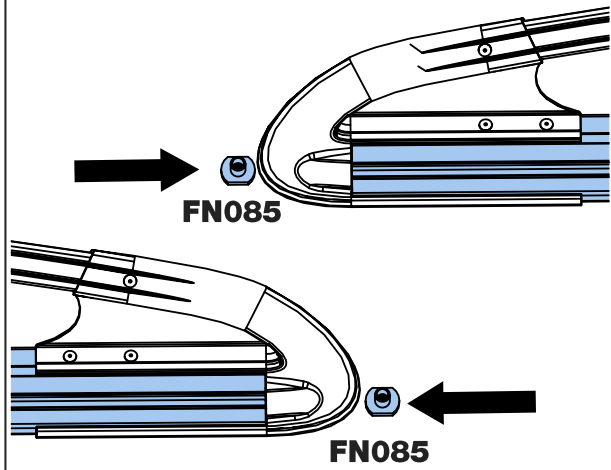
**B**



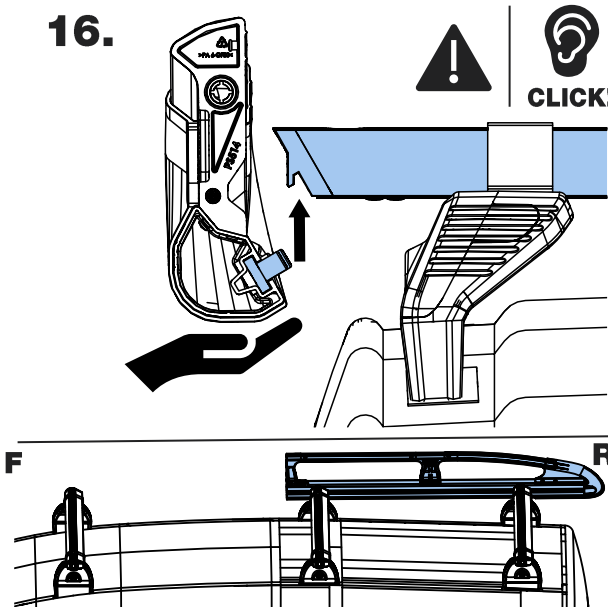
14.



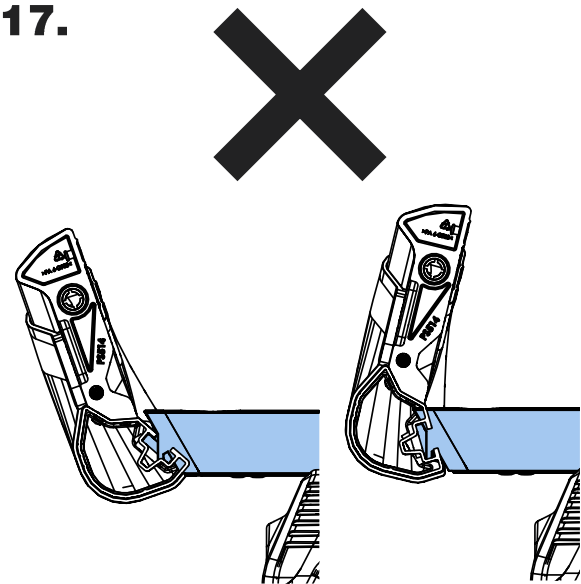
15.



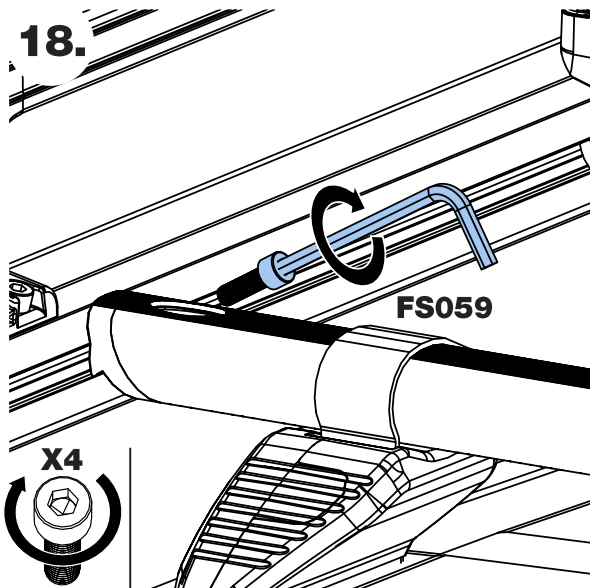
16.



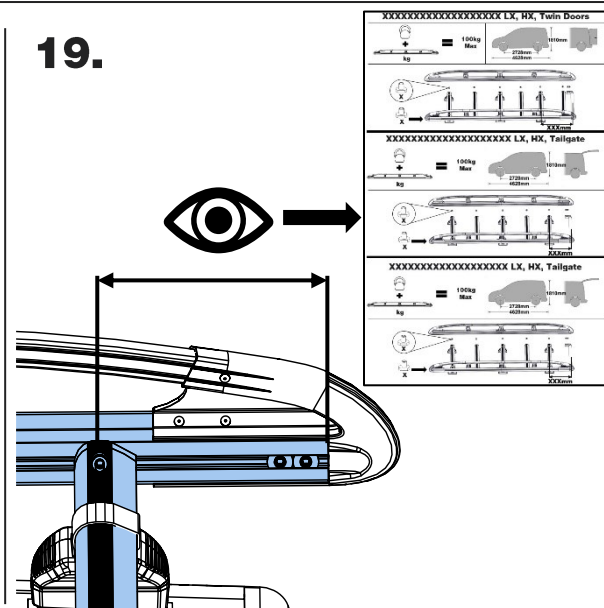
17.

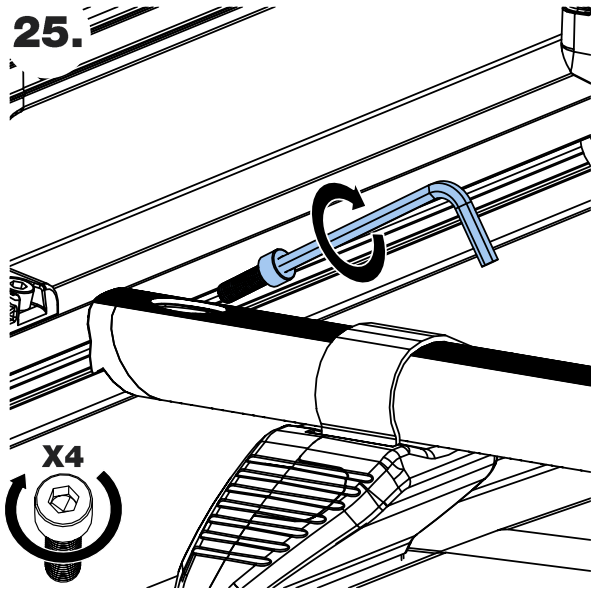
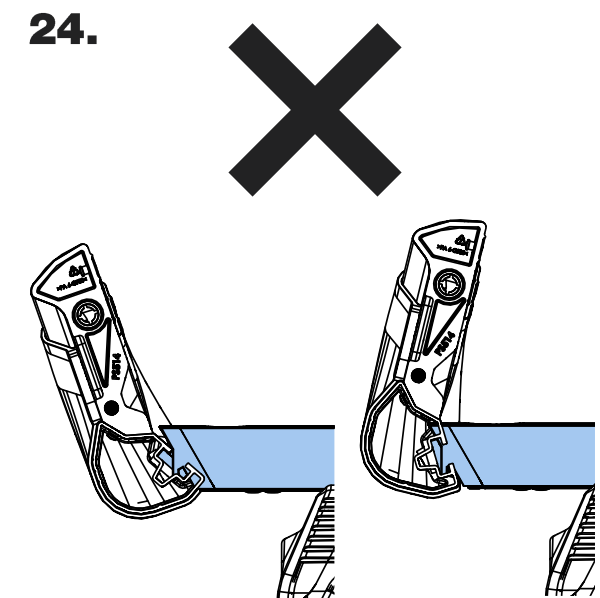
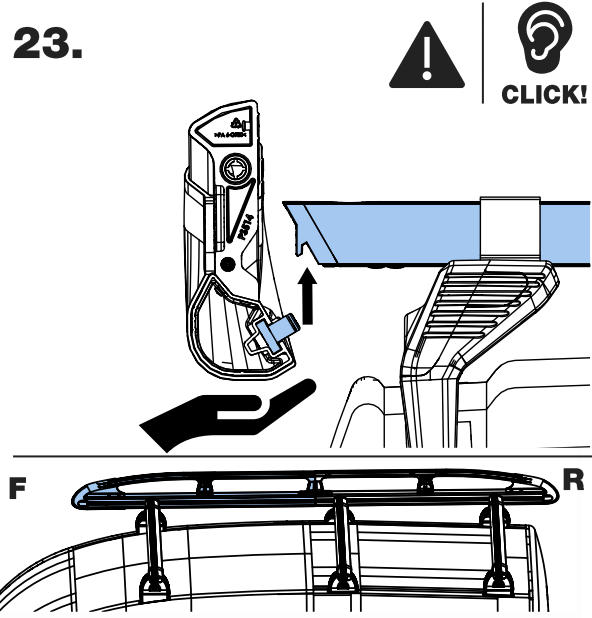
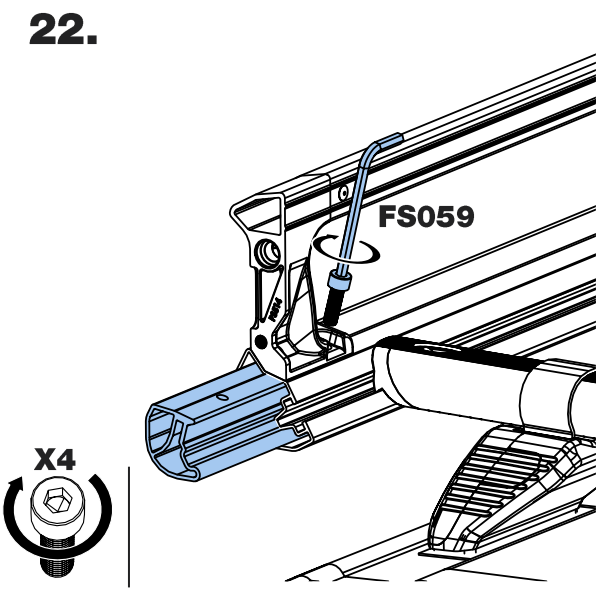
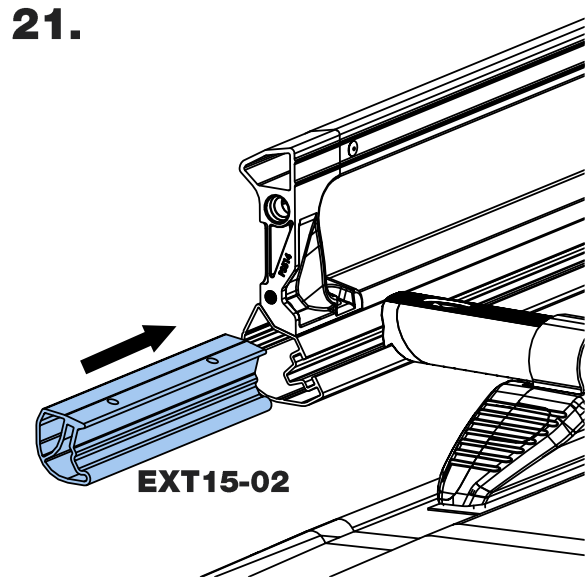
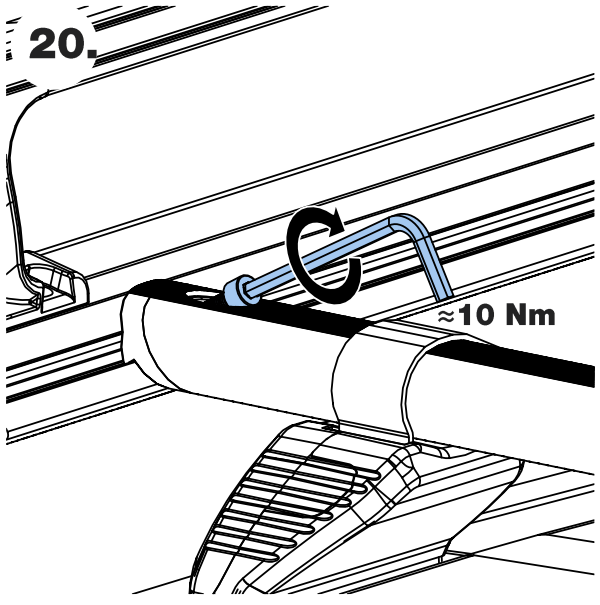


18.

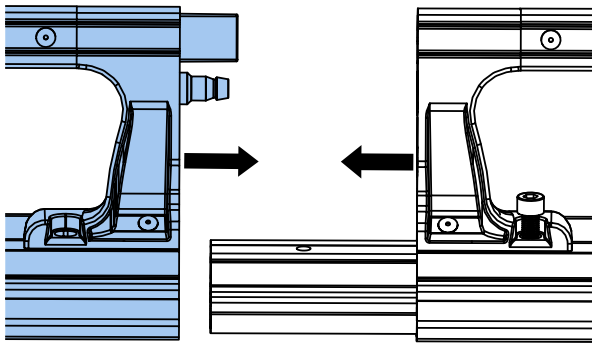


19.

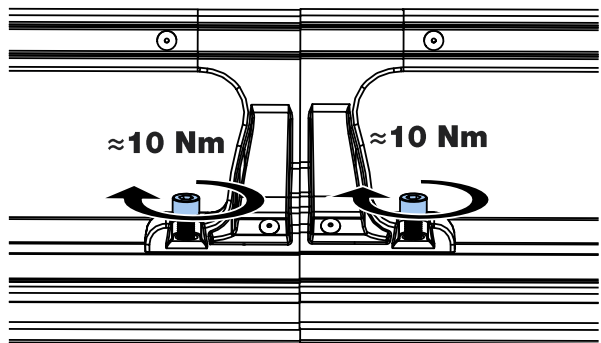




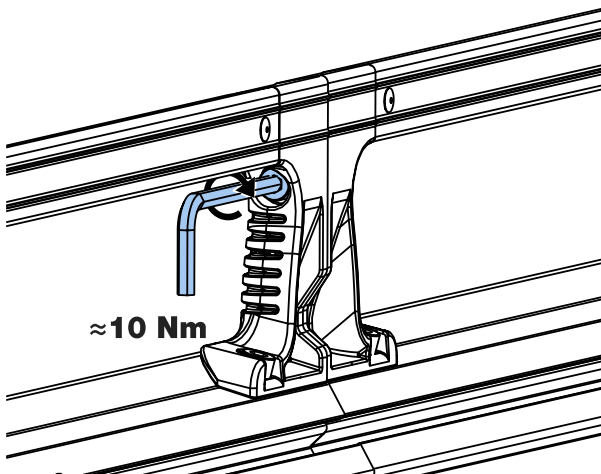
26.



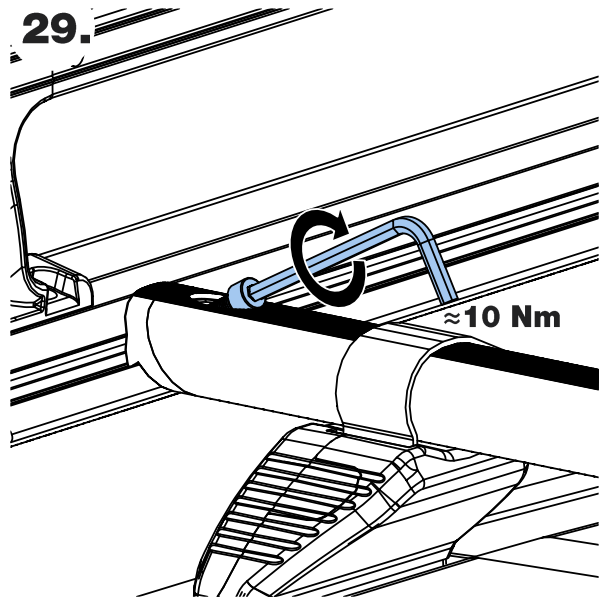
27.



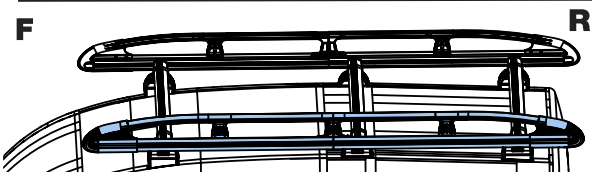
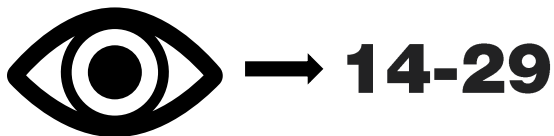
28.



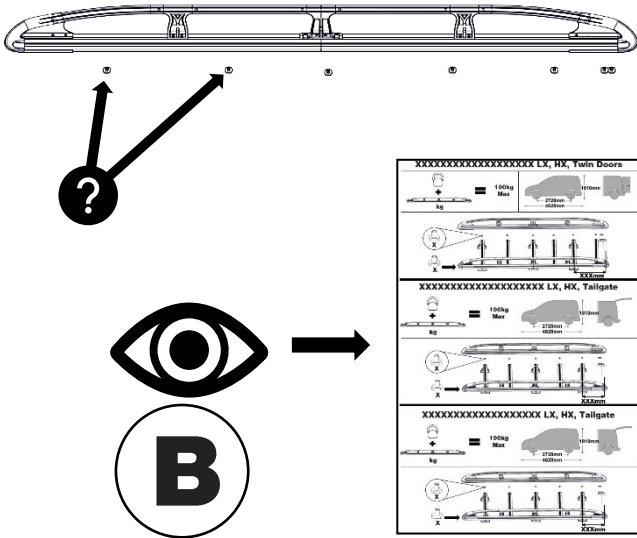
29.



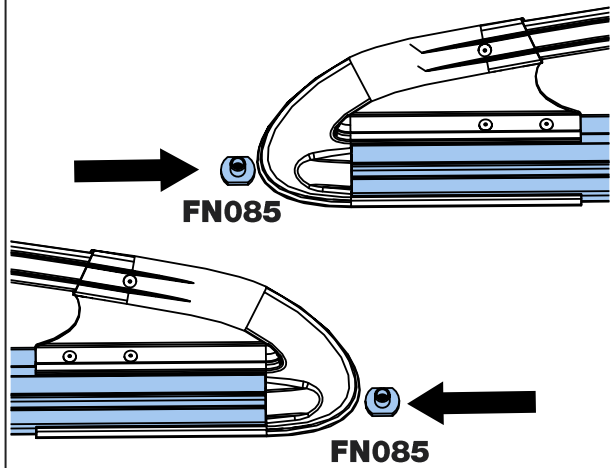
30.



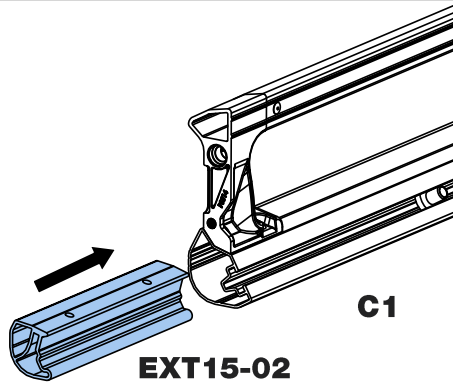
31.



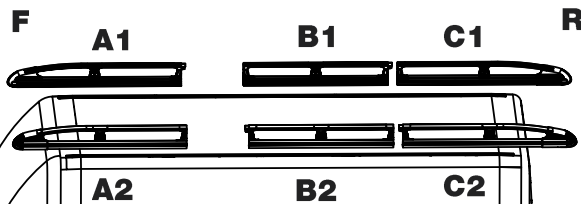
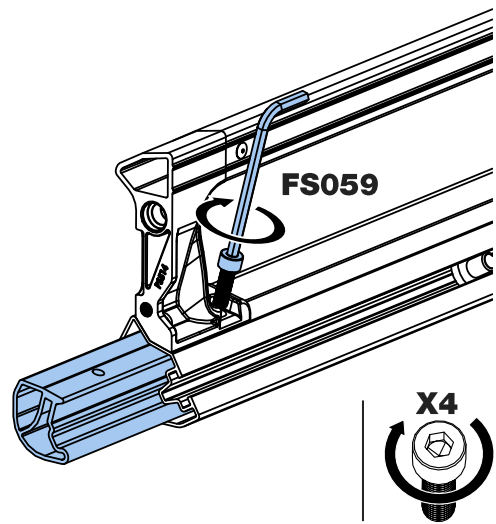
32.



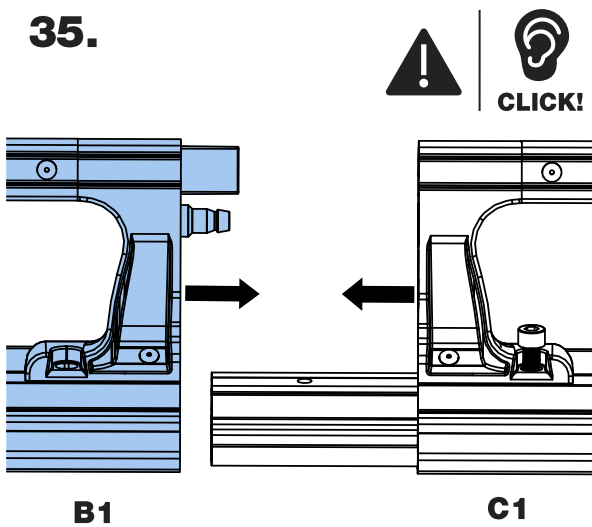
33.



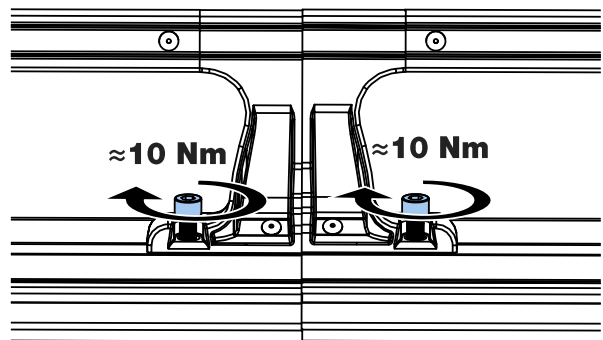
34.



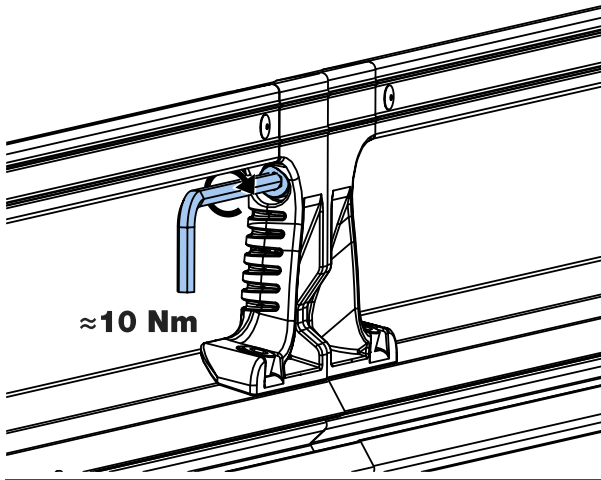
35.



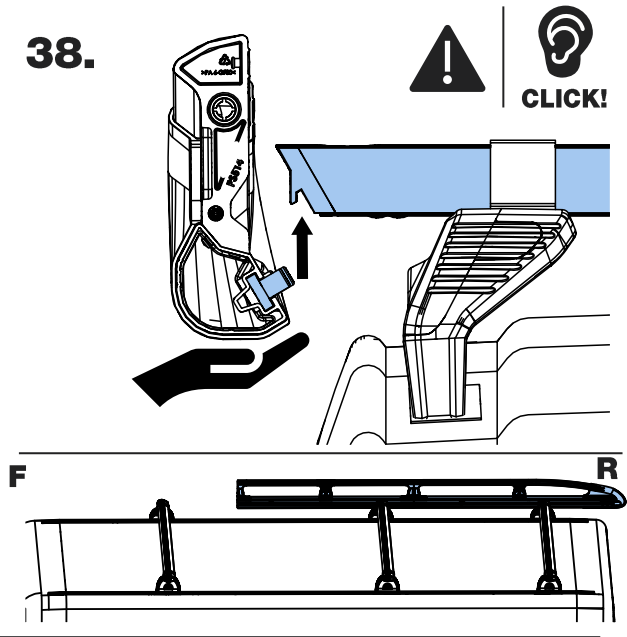
36.



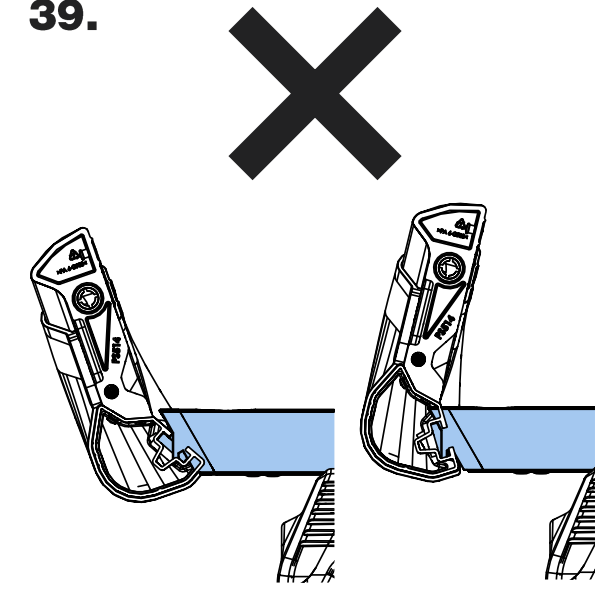
37.



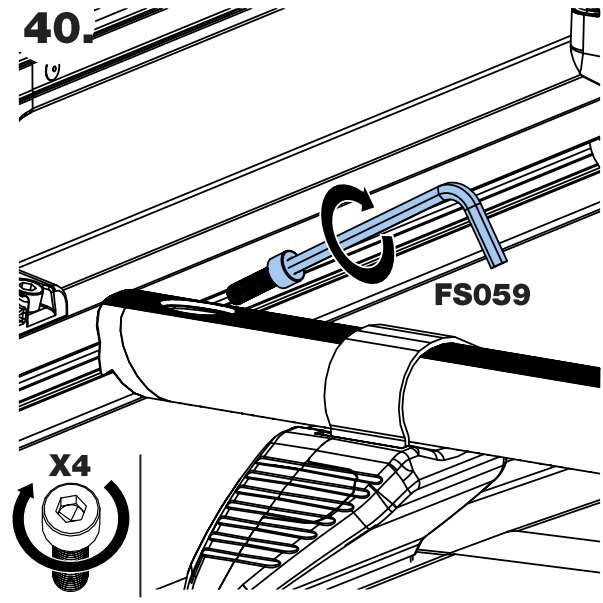
38.



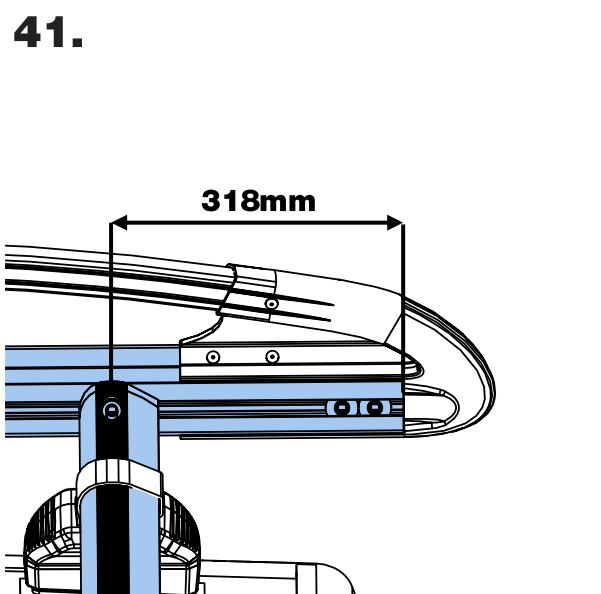
39.



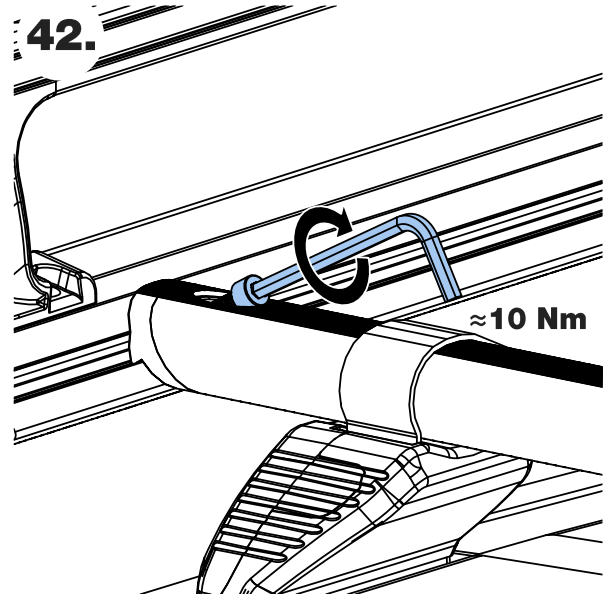
40.



41.

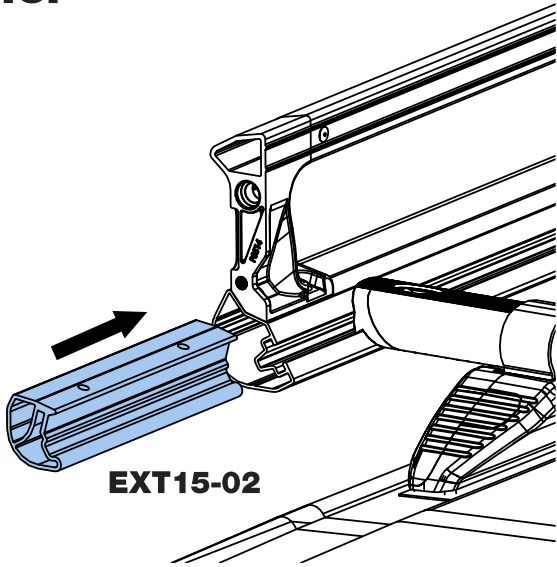


42.

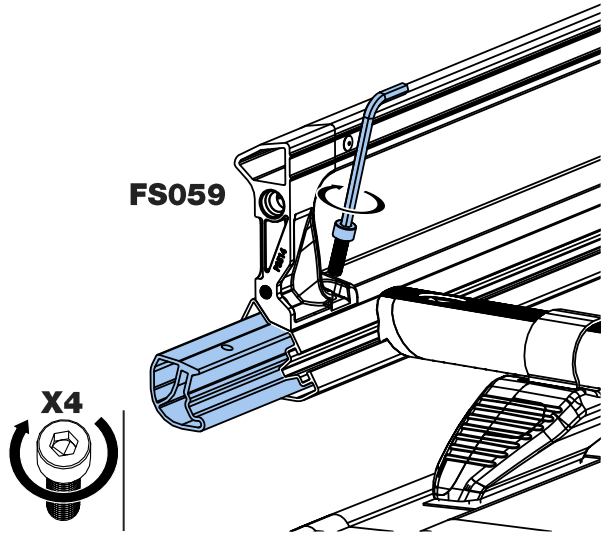




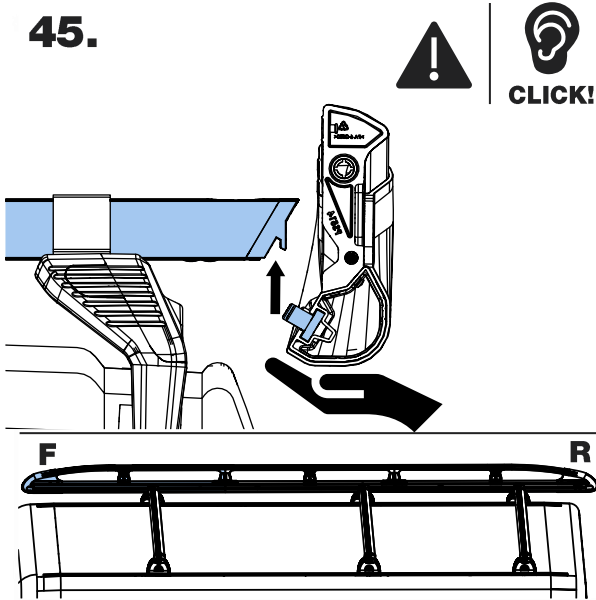
43.



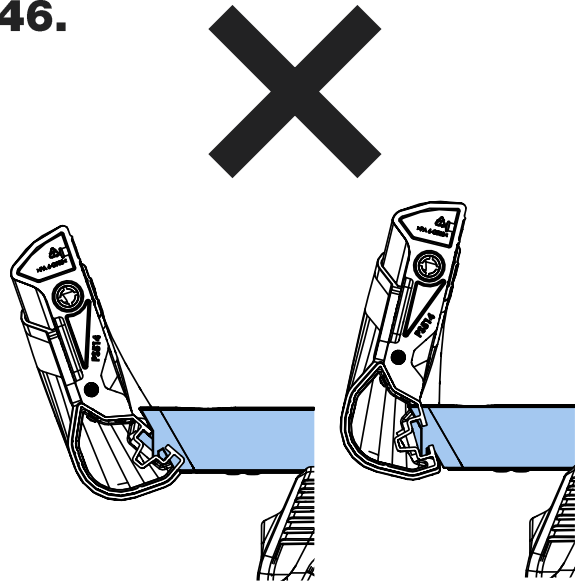
44.



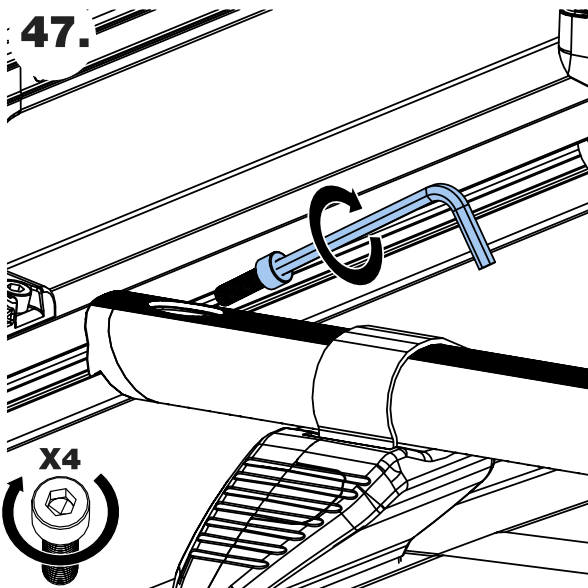
45.



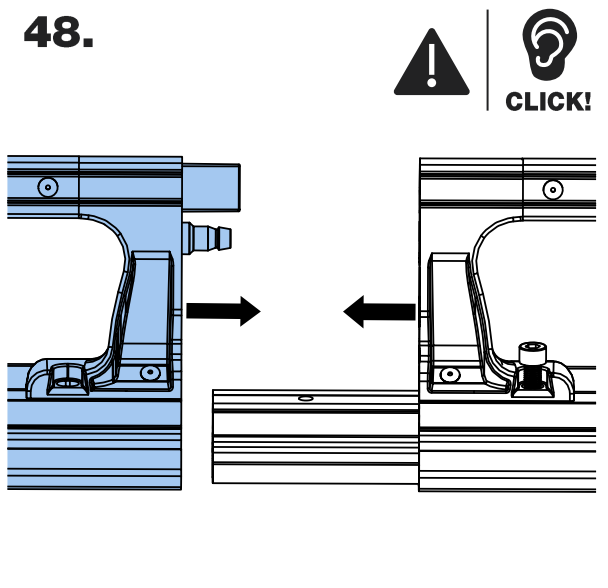
46.



47.

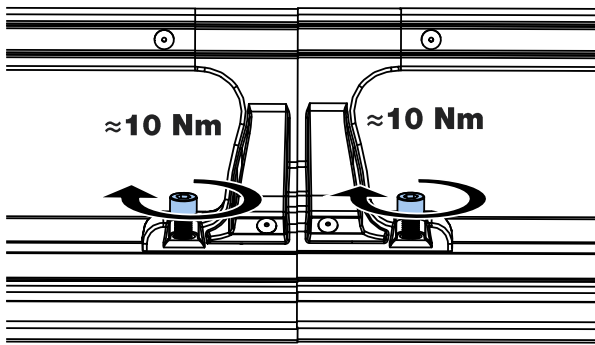


48.

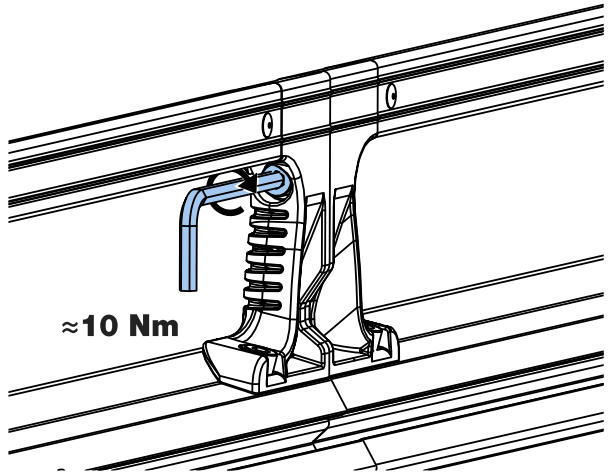




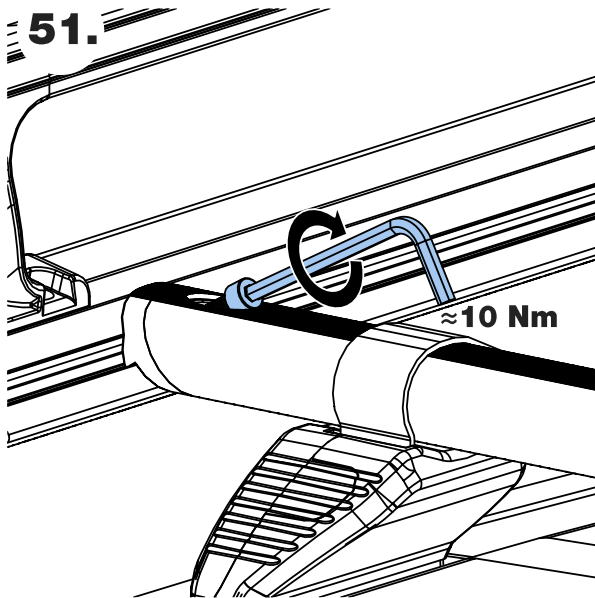
49.



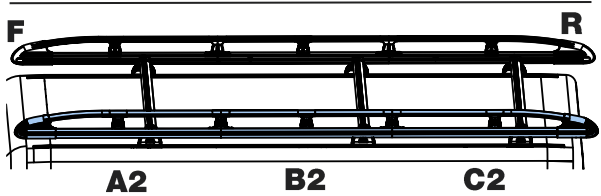
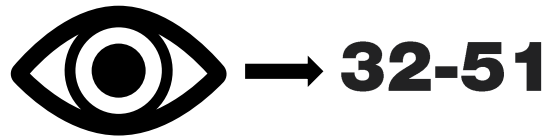
50.



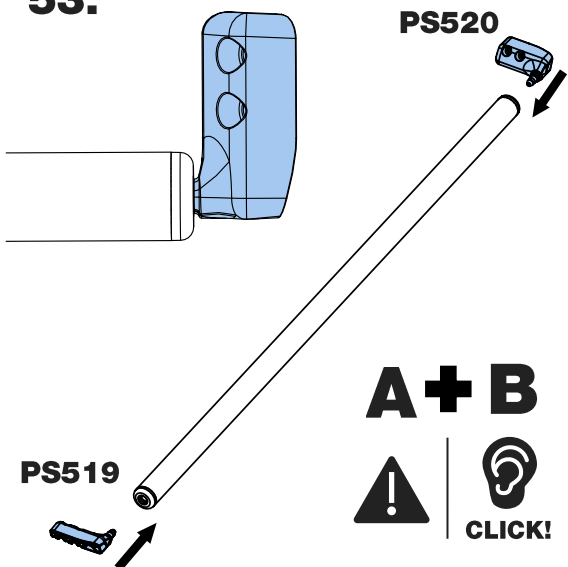
51.



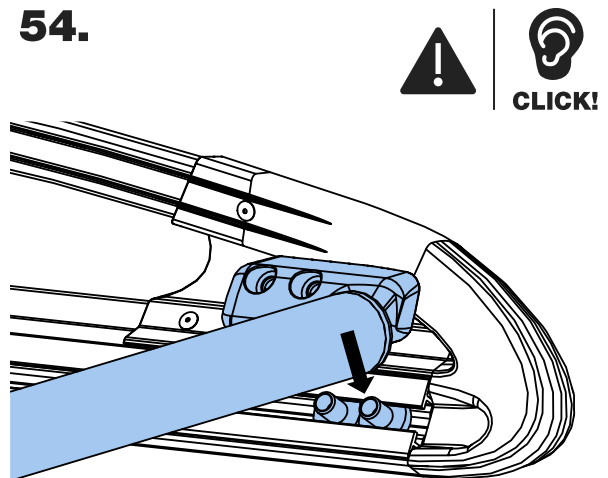
52.



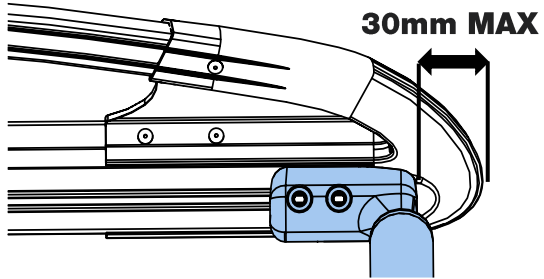
53.



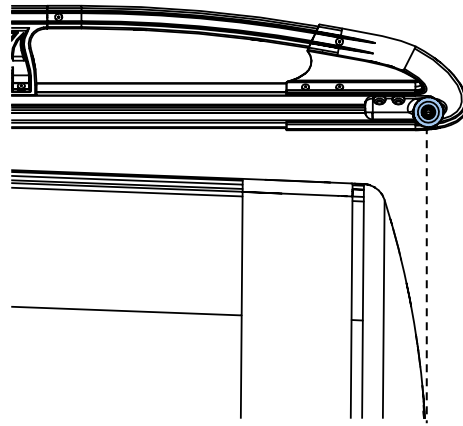
54.



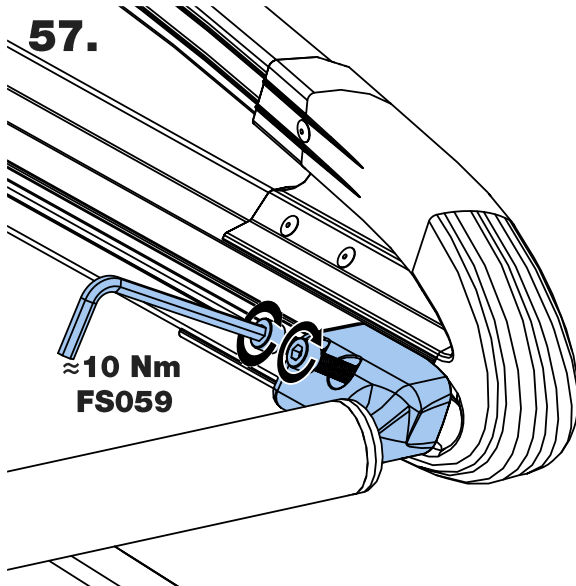
55.



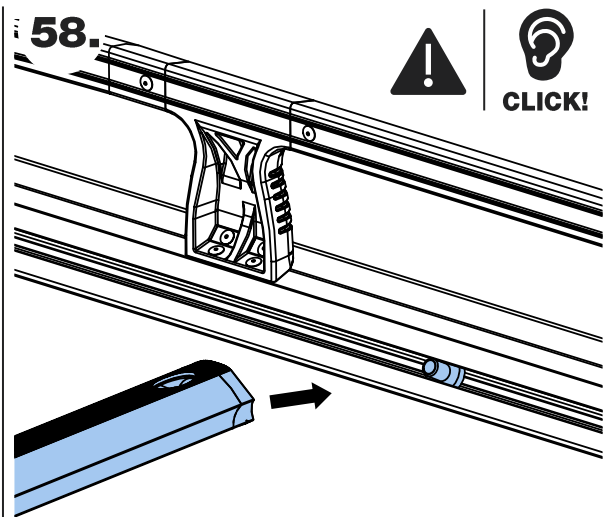
56.



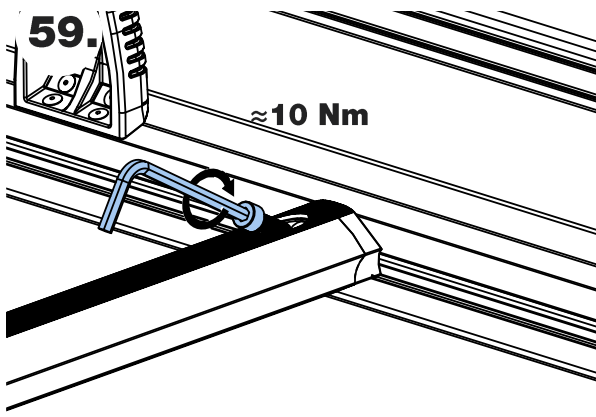
57.



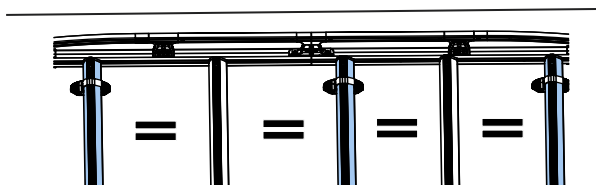
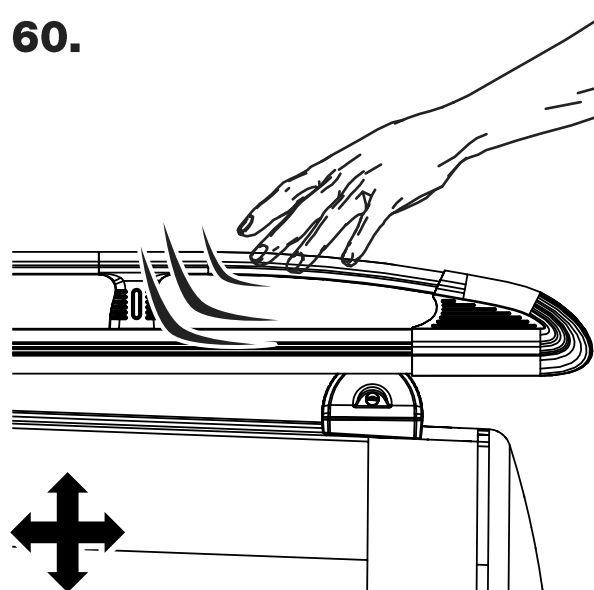
58.



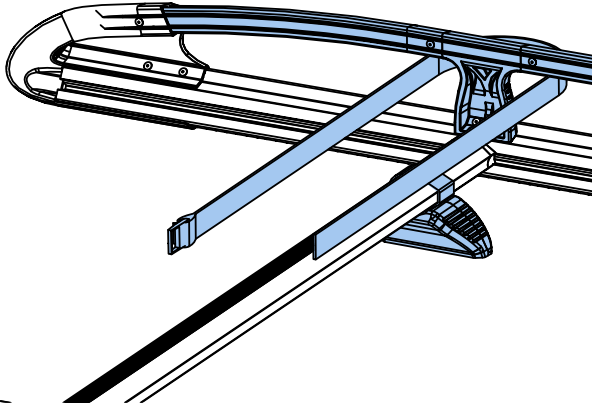
59.



60.



61.



62.

